

HASENKOPF



COUNTER DESIGN  
INSPIRATION

# WE ARE HASENKOPF

## Our mission

**W**e have one goal: to inspire our customers and partners - from consultation and installation through to the use of the property. With our product solutions, we create feel-good spaces for unique memories and moments. We want to fulfill every wish and build pieces of furniture that you have always dreamed of. You don't believe it? Take a look at our products and let us know what you want. We make simple things unique and unique things simple: Simply Special.

## With passion and enthusiasm

**D**riven by our enthusiasm for the wide range of possible applications, we redefine the limits of what is possible every day. Our passion for high-quality craftsmanship and the production of extraordinary objects makes us a pioneer in the market.

## Uniqueness

**W**e offer individual solutions for the demanding wishes and needs of our customers. This is how we make the simple unique and the unique simple - Simply special.

## Quality

**W**e only use high-quality materials and rely on expert workmanship with state-of-the-art technologies, because the quality of our products is our top priority.

## Responsibility

**B**y consciously processing sustainable and durable raw materials, we take responsibility for our environment and society.

# SOLID SURFACE MATERIAL EVERYTHING IS POSSIBLE

Solid surface material is an innovative, acrylic-bonded material that is the right choice for many living and working areas thanks to its excellent material properties. Solid surface material is ideal for elegant shapes, hygienic surfaces and a velvety feel. It inspires craftsmen and architects alike. For 2D and 3D processing, we use different solid surface materials for the most diverse applications in almost any shape, e.g. for counters and furniture. Basically anything is possible with solid surface material.

## COUNTER DESIGN

### Individual Production



+

### Series Production

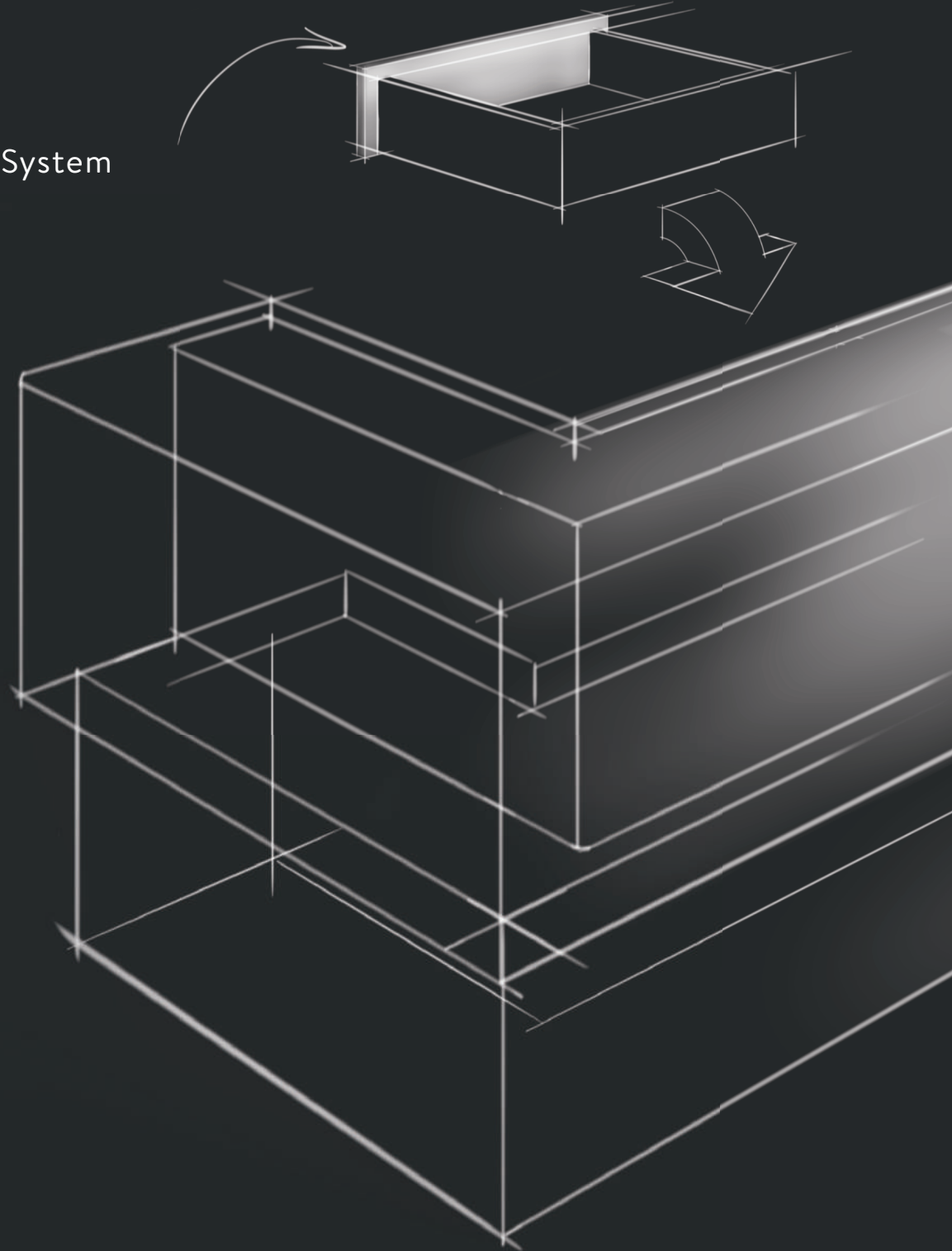


Hasenkopf is craftsmanship. For more than half a century, the company has been producing unmistakable one-of-a-kind pieces and fulfilling even the most unusual, individual wishes. Hasenkopf sees itself as a manufacturer, because today more than ever this term stands for excellence in craftsmanship, reliable quality and made-to-measure perfection.

Hasenkopf is industry. With more than 200 employees, 22,000m<sup>2</sup> of production space and state-of-the-art technology, made-to-measure perfection is also possible for series production. Hasenkopf offers its customers all the advantages of industrial production, such as fast order processing, efficiency and just-in-time delivery.

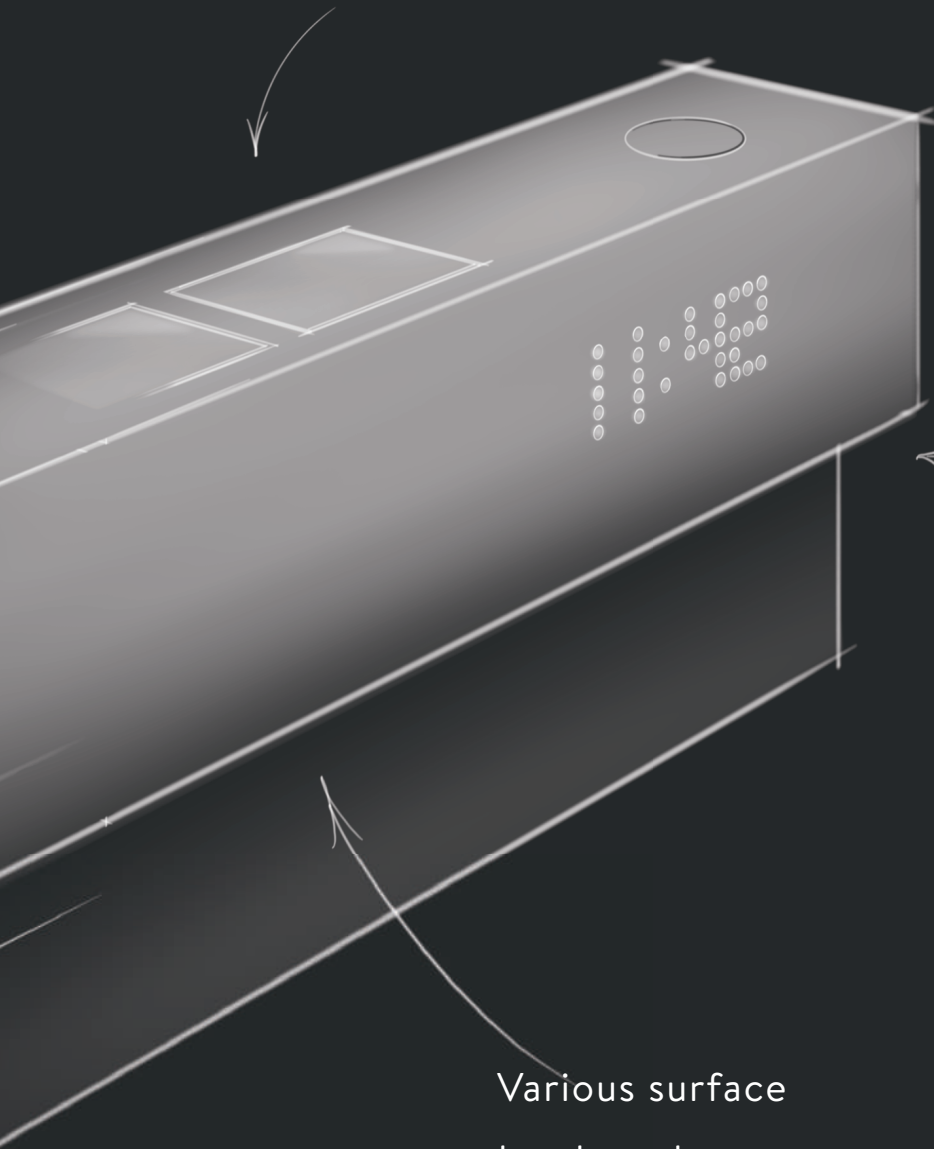
# APPLICATIONS IDEA COUNTER »STRAIGHT«

Drawer System



Media interface

Recesses for monitors  
or tablets



Individual  
LED display



Various surface  
treatments

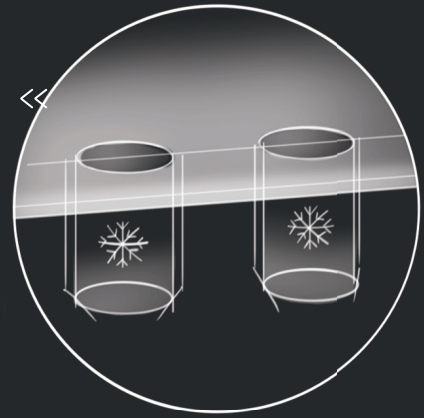


Silk Matt

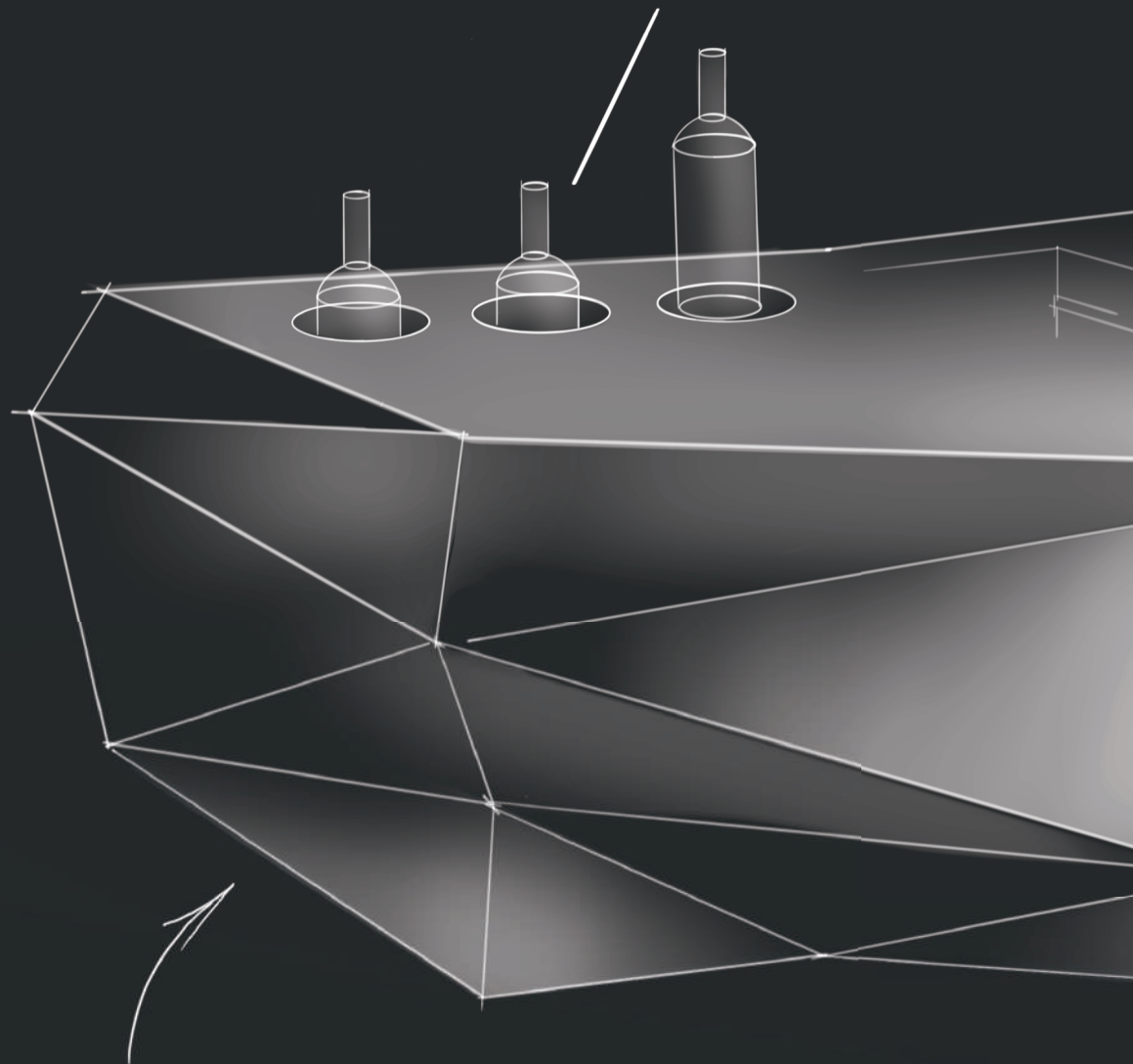
Matt

High Gloss

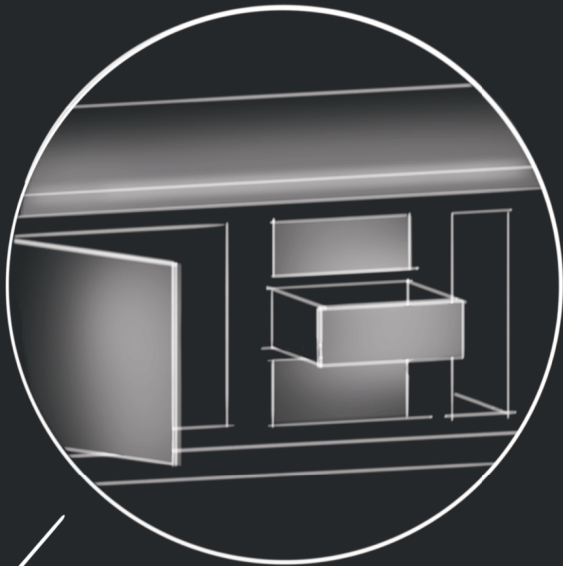
# APPLICATIONS IDEA COUNTER »POLYGONAL«



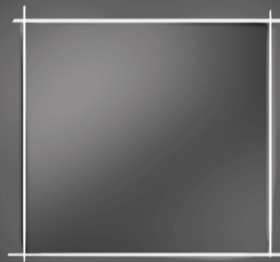
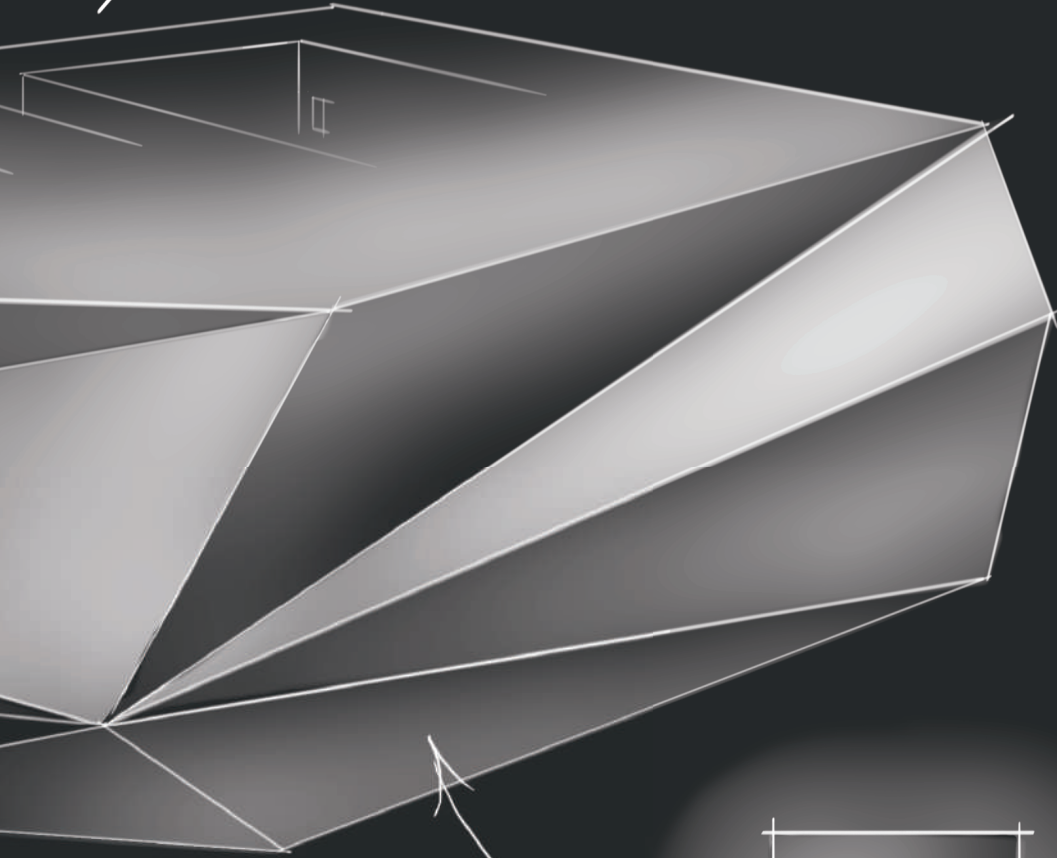
Bottle Holder



Cantilever  
Construction

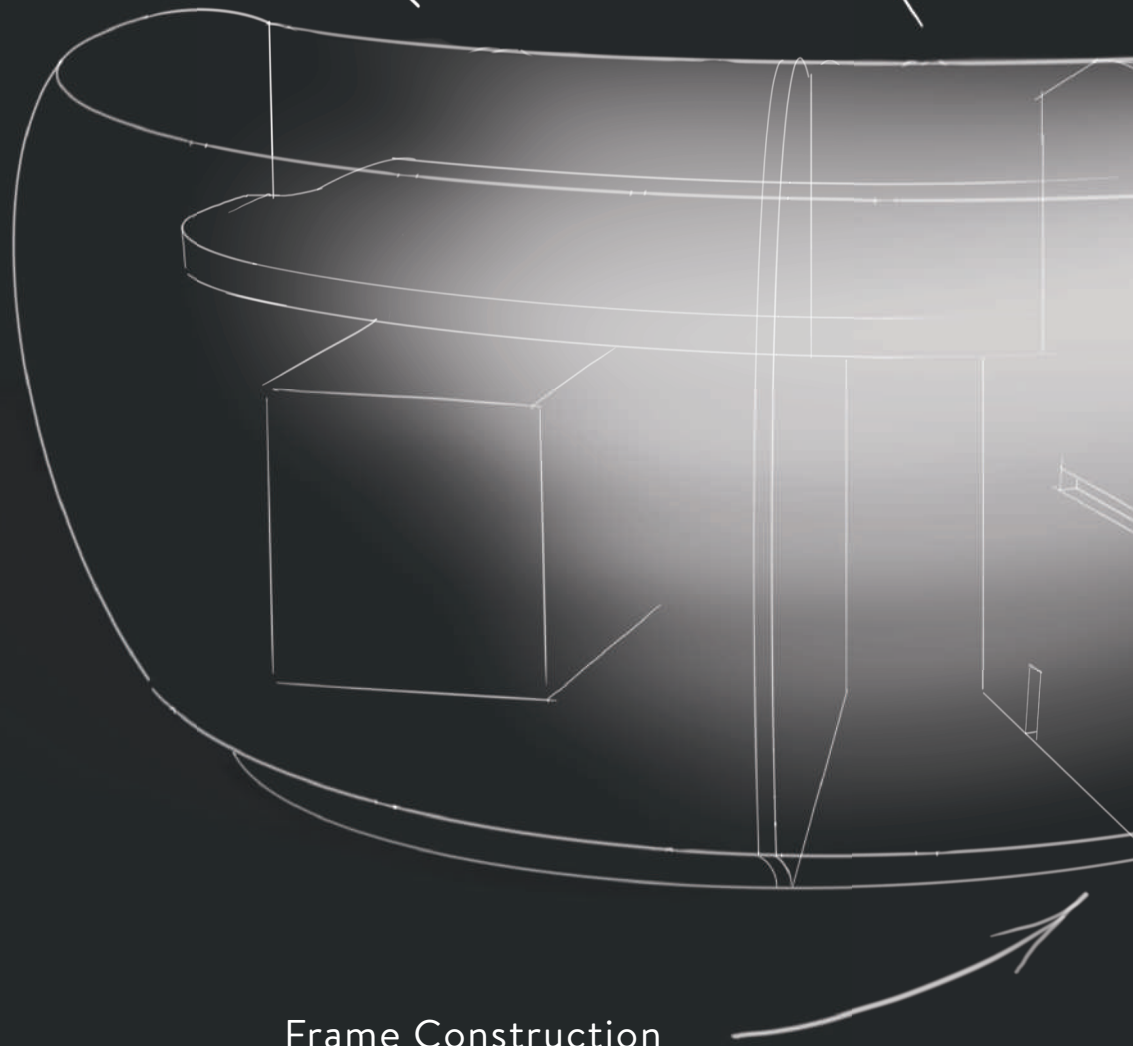
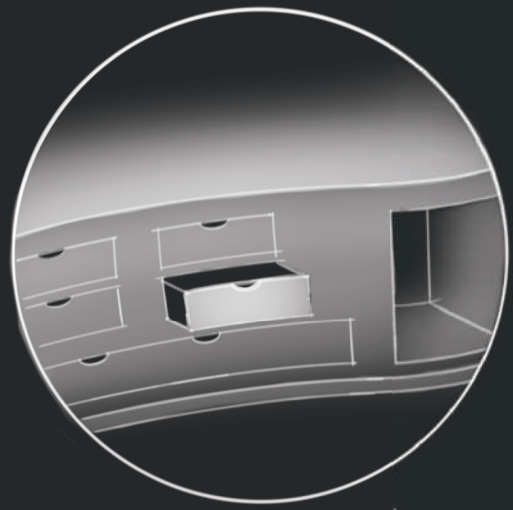


Individual Carcass  
Construction



Backlighting

Deformed Carcass  
Fronts

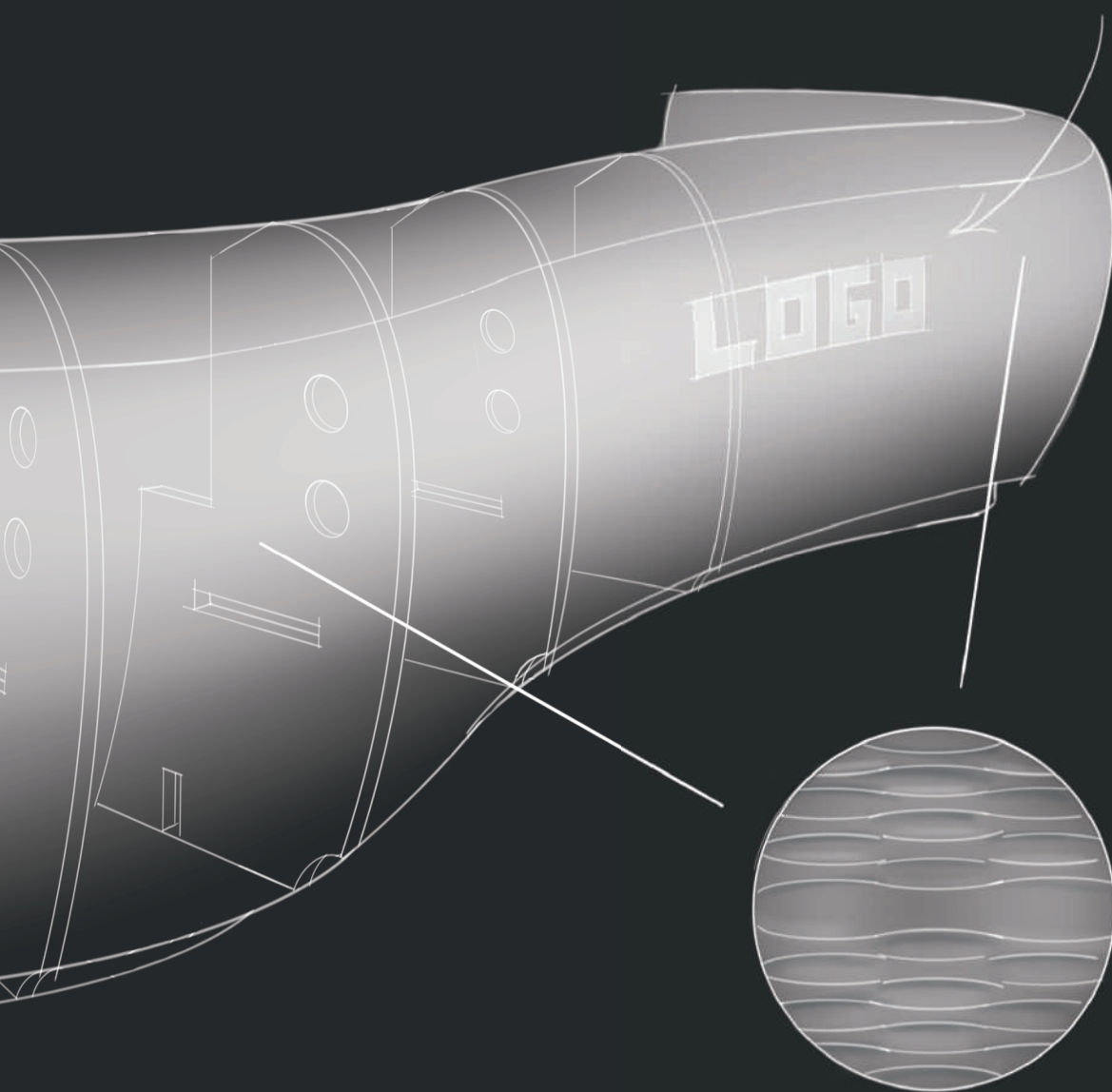


Frame Construction



# APPLICATIONS IDEA COUNTER »ROUND«

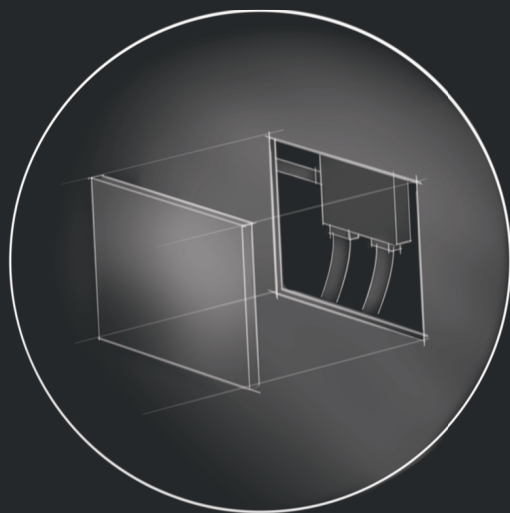
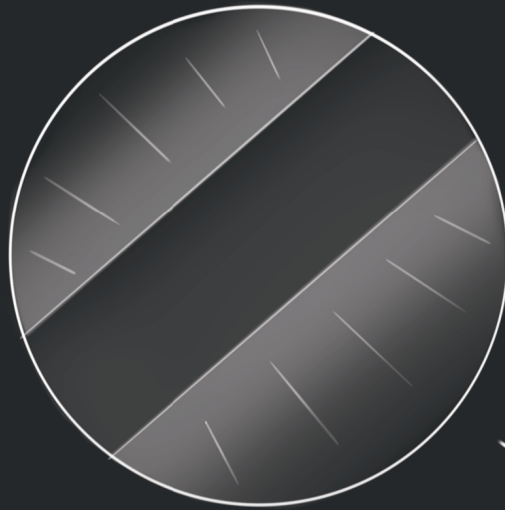
Logo & Lettering Placement  
(milled or backlit)



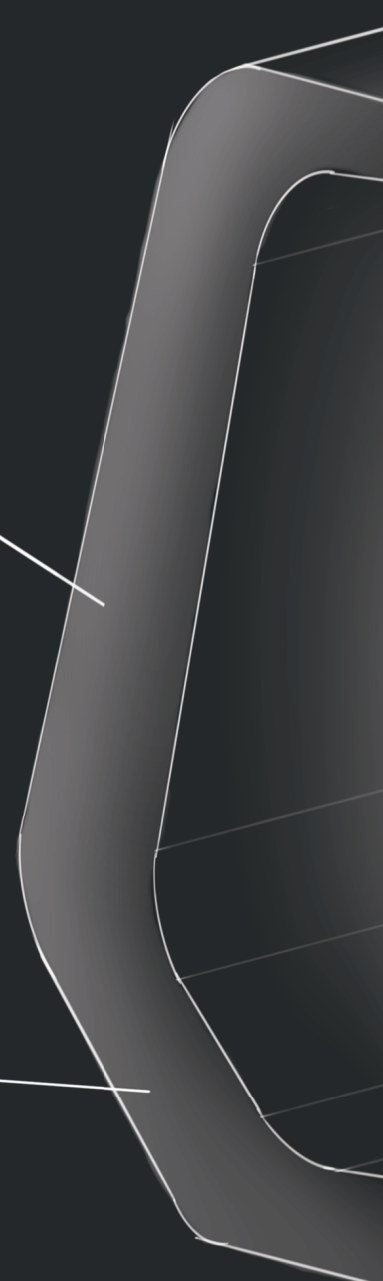
Surface

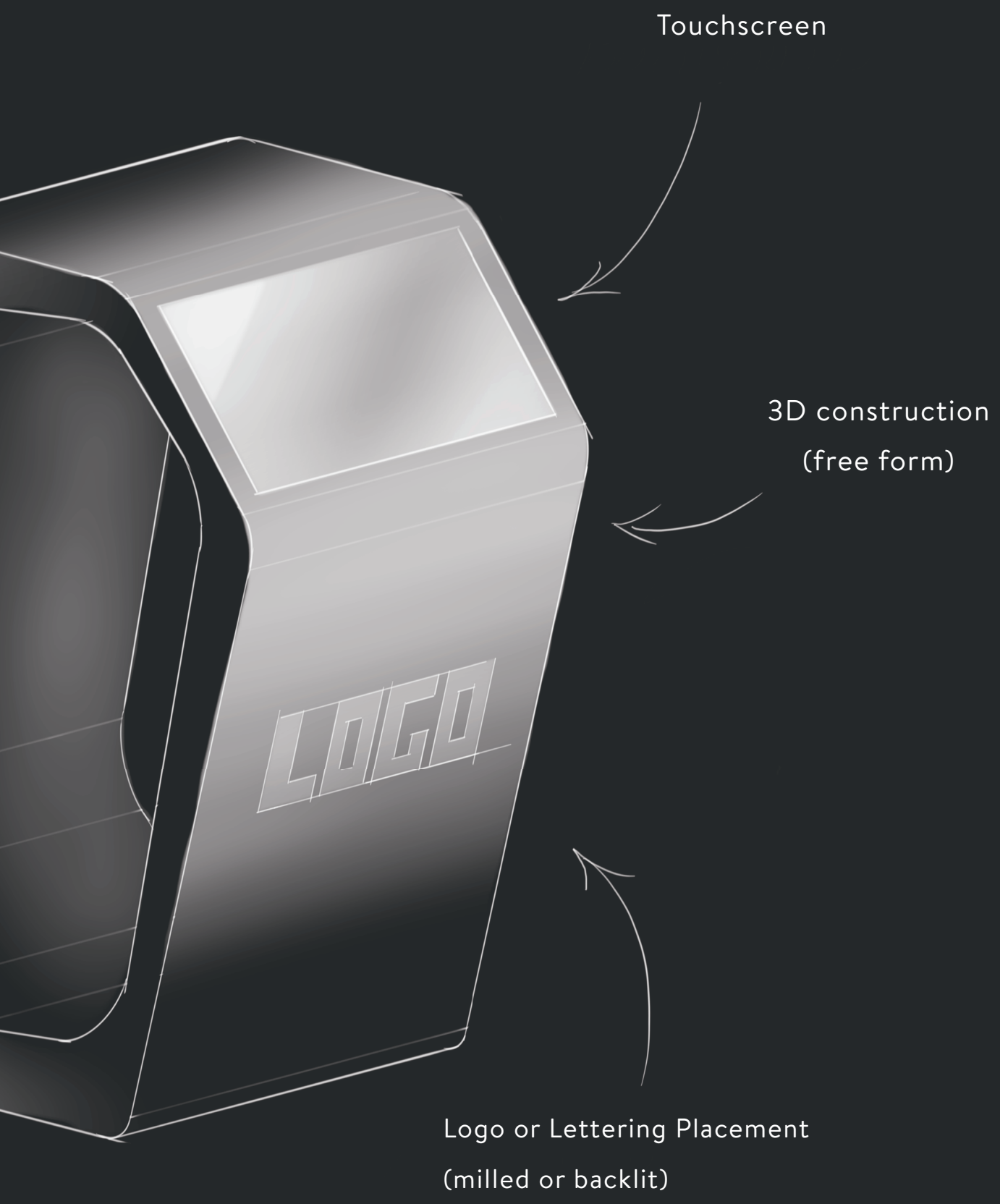
# APPLICATIONS IDEA COUNTER »STELE«

Edge Lighting



Access panel with hairline  
joint for wireless optics

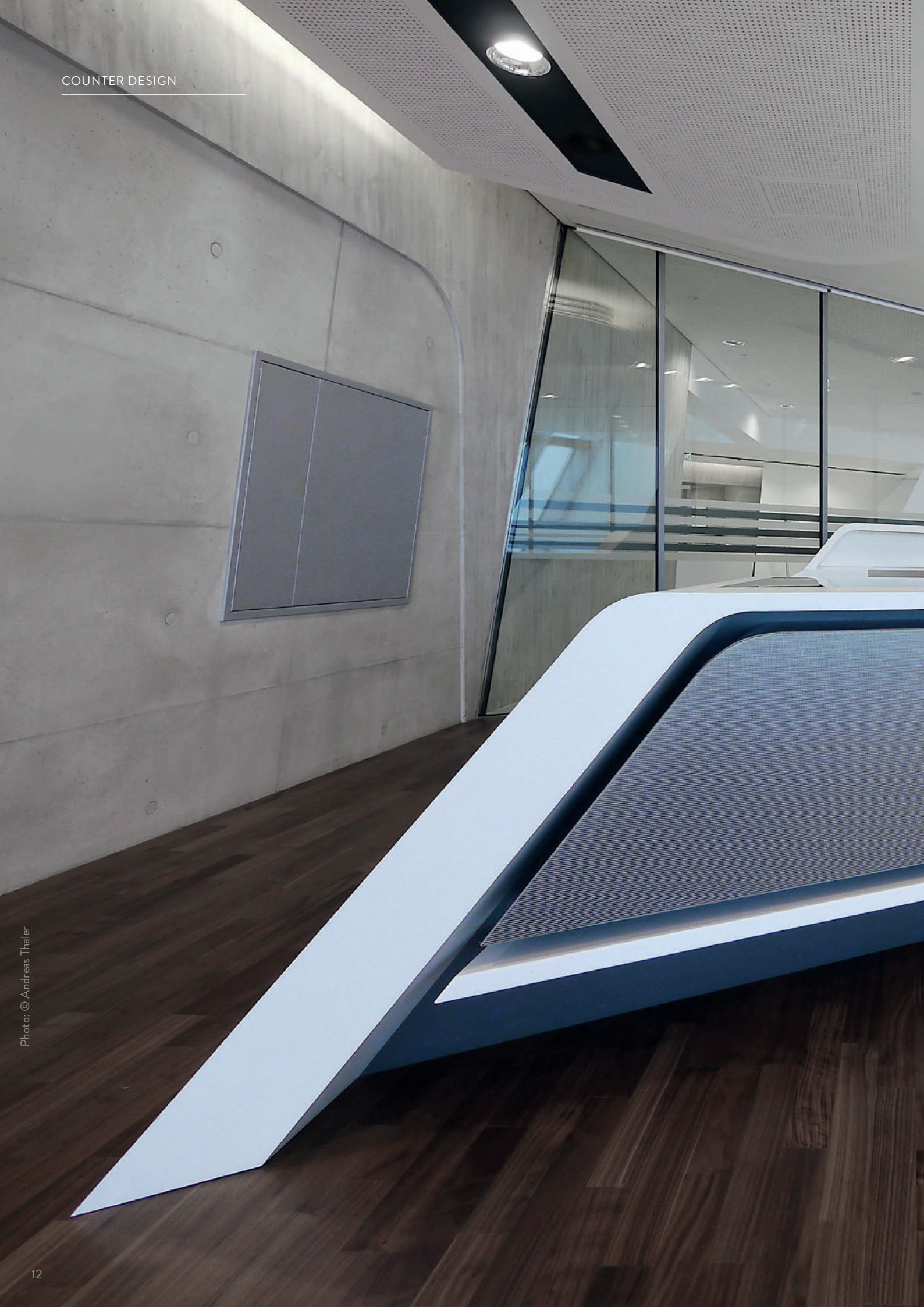




Touchscreen

3D construction  
(free form)

Logo or Lettering Placement  
(milled or backlit)







Dr. med. dent. BERNHA  
ZA ANDREAS  
ZÄ BIRGIT V  
Dr. med. dent. NINA



röntgen\_raum.

RD WARNICK M.Sc.

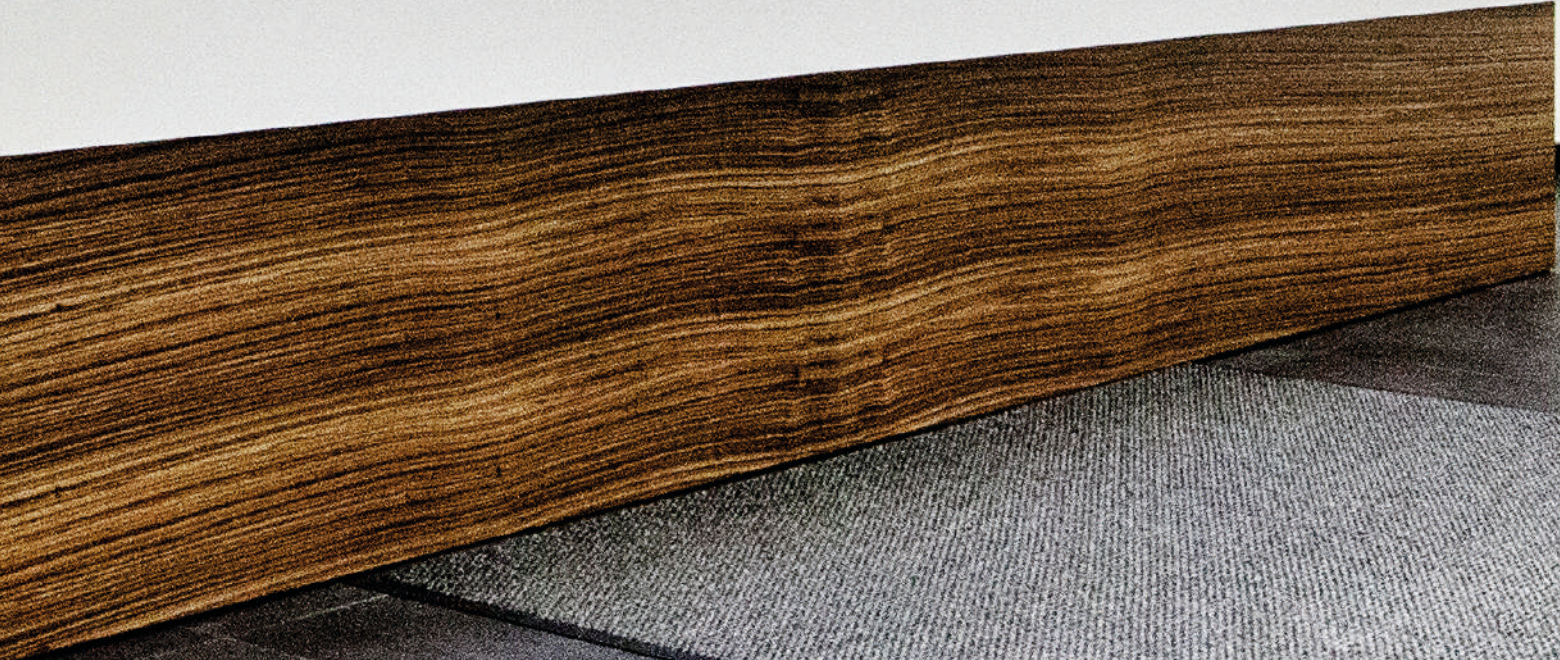
WARNICK

WARNICK

STRATEMANN



Dr. med. dent. MICHAEL WARNICK  
ZÄ NATALIE LISIN



**DB** Information





DB

10:17



**Gepäckstück vermisst?**  
Beim Verlust Ihres Gepäcks hilft Ihnen die Fundstelle hier im Bahnhof weiter.



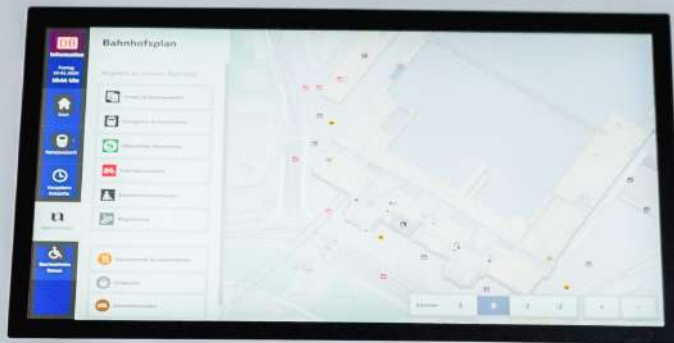
ICKS  
EE



Wir haben Fahrgäste und Postkunden  
Wie es geht, helfen wir Ihnen weiter.



# Info-Terminal





# HOLISTIC SOLUTIONS



## MATERIALS AND FUNCTION INTEGRATION

- Large selection of mineral and wood materials in various thicknesses
- Wide range of colours and structures for the realisation of your design idea
- Combined installation with a variety of other materials possible: e.g. solid wood, decor/Fenix®- and HPL-layered MDF, chipboard, multiplex board, precious metals, glass, mirrors and fabrics.
- Customised substructures and furniture carcasses
- Planning and integration of lighting and electronic applications

## SERVICE AND EXPERTISE

- A personal contact to provide technical and commercial support throughout the entire assignment
- Provision of material and color samples
- Development of individual product designs along technical possibilities and customer ideas
- Creation of CAD drawings and visualisation with 3D models for better illustration
- Ready-to-assemble dispatch, including installation upon request by experienced specialists on-site
- Professional maintenance, care and refurbishment of the finished objects

WE ARE HAPPY TO ADVISE YOU

T +49 8677 9847 50

info@hasenkopf.de

www.hasenkopf.de



#### TECHNICAL PROCESSING POSSIBILITIES

- Extensive, modern processing technologies:
  - High precision chipping by our large number of 3- and 5-axis CNC machinery
  - Special casting processes for basins and tub bodies
  - Bending of solid surface panels for two- and three-dimensional object construction
  - Assembly without visible joints
- Realisation of three-dimensional, organic and polygonal designs
- Individual batch size according to customer requirements, from one of a kind pieces to series production
- Surface finish from matt to shiny, from velvet-like to deep texture
- Personalisation with lettering and logo by milling, inlays or raised structures
- Translucent milling for backlighting

# AS SPECIAL AS YOU — HASENKOPF



We are happy to advise you from start to finish. Call us, we are here for you!

T +49 8677 984750  
anfrage@hasenkopf.de

# WE ARE INDIVIDUAL & VERSATILE

## HOUSING & LIVING

Design for individual pieces  
and embedded in projects

[Foto: © 247billiards]



## BATH & WASHING

Individual shower, sink and  
bathtub variety

[Foto: © Hasenkopf  
Industrie Manufaktur]



## COOKING & EATING

Easy-care, seamless and  
modern surface

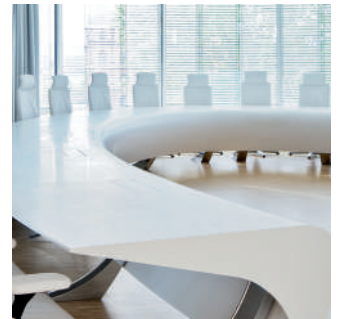
[Foto: © Karen Massine]



## WORKING & DISCUSSING

Representative individual  
pieces with a long service  
life

[Foto: © Peter Eichler]



## DRESSING UP & EMBELLISHING

Elegant wall design out-  
doors and indoors

[Foto: © Andreas Frisch]



## PRESENTING & SELLING

Staging products and  
services optimally

[Foto: © Vodafone]



## HEALING & CARING

Non-porous surfaces for  
hygienic areas

[Foto: © KaVo Dental]



## ORGANISING & STORING

Custom made drawers and  
dividers

[Foto: © Hasenkopf  
Industrie Manufaktur]



## HOSTING & ENTERTAINING

Solutions in geometric and  
organic shapes

[Foto: © www.spitzbart.at]



## ILLUMINATI & REFINING

Harmonious lighting effects  
and Frescata milling

[Foto: © egger3.at]



# CUSTOMISE

WWW.HASENKOPF.COM



## COLOR FINDER

You can easily find an overview of all colors in our colorfinder.



## INDIVIDUAL PLANNING

Shape, size, color and design – for us, individuality is not a luxury but standard.



## PDF-GENERATOR

Compile inspirations and references individually into a PDF document



Simply Special

HASENKOPF Industrie Manufaktur GmbH, Stöcklstraße 1-2, 84561 Mehring, Germany

T +49 8677 9847 50 – anfrage@hasenkopf.de – www.hasenkopf.com

